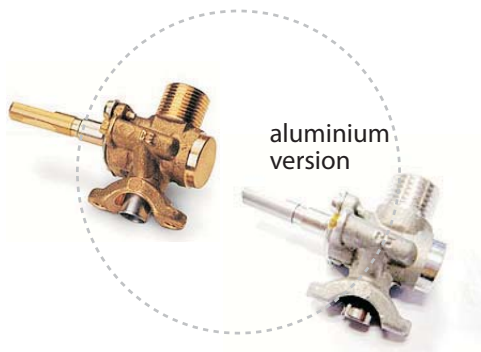
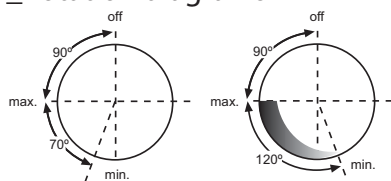


## \_ Gas Cooking > Gas Valves

# CAM 17501 series



### \_ Rotation diagrams



### \_ Construction characteristics

Mechanical body: drop-forged brass and aluminium.  
 Male cone: bar-cut brass and aluminium.  
 Cover: drop-forged steel.  
 Spindle: aluminium (brass optional).

### \_ Other characteristics

Max. ambient temperature: up to 150 °C  
 Max. gas pressure: 65 mbar  
 Stroke: 2,5 mm  
 Flow: 250 l/h (1mbar pressure drop).

### \_ Functional characteristics

Max. tightness at test pressure 150 mbar:  $\leq 8$  cm<sup>3</sup>/h  
 Max. turning torque of the spindle: 0.2 N m

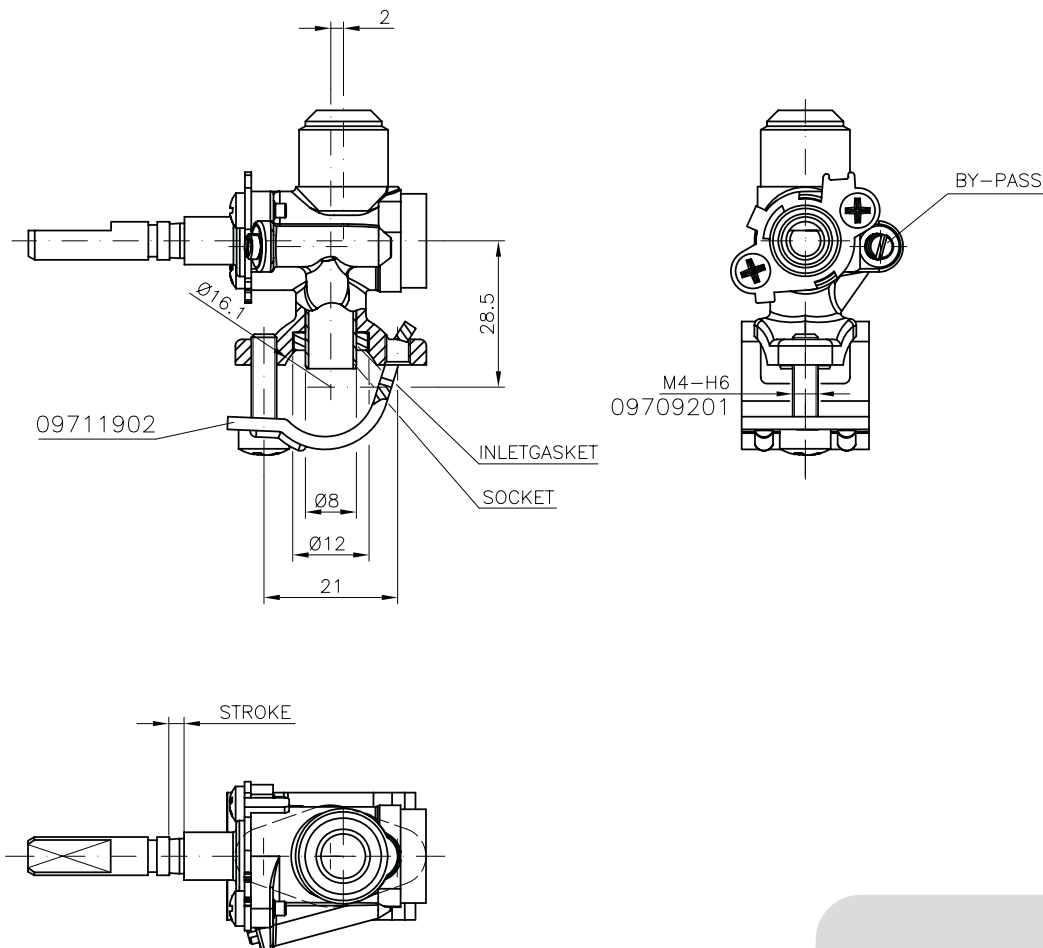
### \_ Connection characteristics

Inlet types: round 16 mm diameter ramp. On request and after a study, other types and dimensions.  
 Outlet types: according to customer specifications.  
 Spindle dimensions: according to customer specifications.  
 Distance between clamp holes: 21 mm. Other types and dimensions on request.

### \_ Installation characteristics

Max. torque for screwing: 3 N m (2 screws) and 2 N m (1 screw).  
 Max. torque of fitting outlet: 8mN(biconical), 15 N m (flaring).  
 Range for tightening torque of injectors: 1.5 - 2.5 N m

### \_ Main outside dimensions



\* Other versions available upon request.