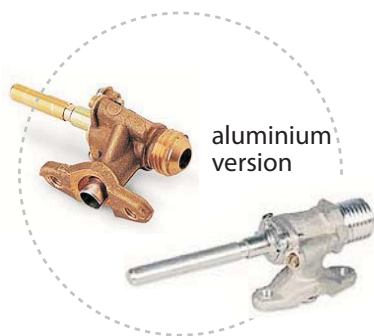


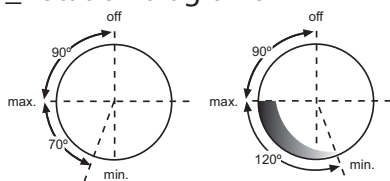


_ Gas Cooking > Gas Valves CAM 17500 series



aluminium
version

_ Rotation diagrams



_ Construction characteristics

Mechanical body: drop-forged brass and aluminium.
Male cone: bar-cut brass and aluminium.
Cover: drop-forged steel.
Spindle: aluminium (brass optional).

_ Other characteristics

Max. ambient temperature: up to 150 °C
Max. gas pressure: 65 mbar
Stroke: 2,5 mm
Flow: 250 l/h (1mbar pressure drop).

_ Functional characteristics

Max. tightness at test pressure 150 mbar: < 8 cm³/h
Max. turning torque of the spindle: 0.2 N m

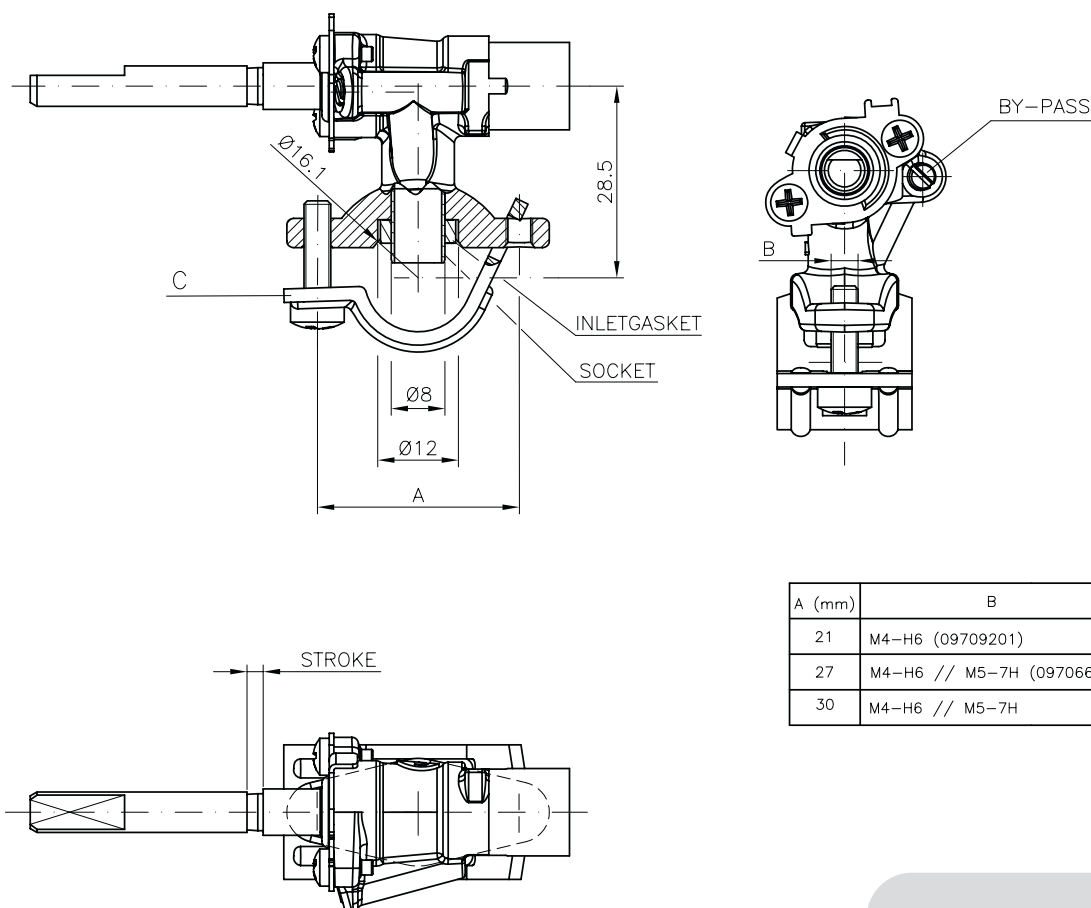
_ Connection characteristics

Inlet types: round 16 mm diameter ramp. On request and after a study, other types and dimensions.
Outlet types: according to customer specifications.
Spindle dimensions: according to customer specifications.
Distance between clamp holes: 21, 27 and 30 mm. Other types and dimensions on request.

_ Installation characteristics

Max. torque for screwing: 3 N m (2 screws) and 2 N m (1 screw).
Max. torque of fitting outlet: 8 N m (biconical), 15 N m (flaring).
Range for tightening torque of injectors: 1.5 - 2.5 N m

_ Main outside dimensions



A (mm)	B	C
21	M4-H6 (09709201)	09711902
27	M4-H6 // M5-7H (09706605)	09709906
30	M4-H6 // M5-7H	09711706

* Other versions available upon request.