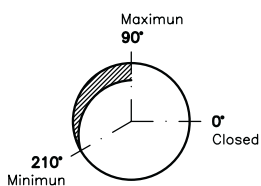




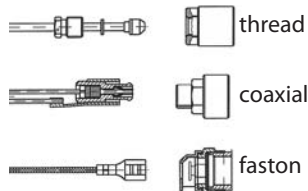
## \_ Gas Cooking > Safety Gas Taps CAL 22200 series



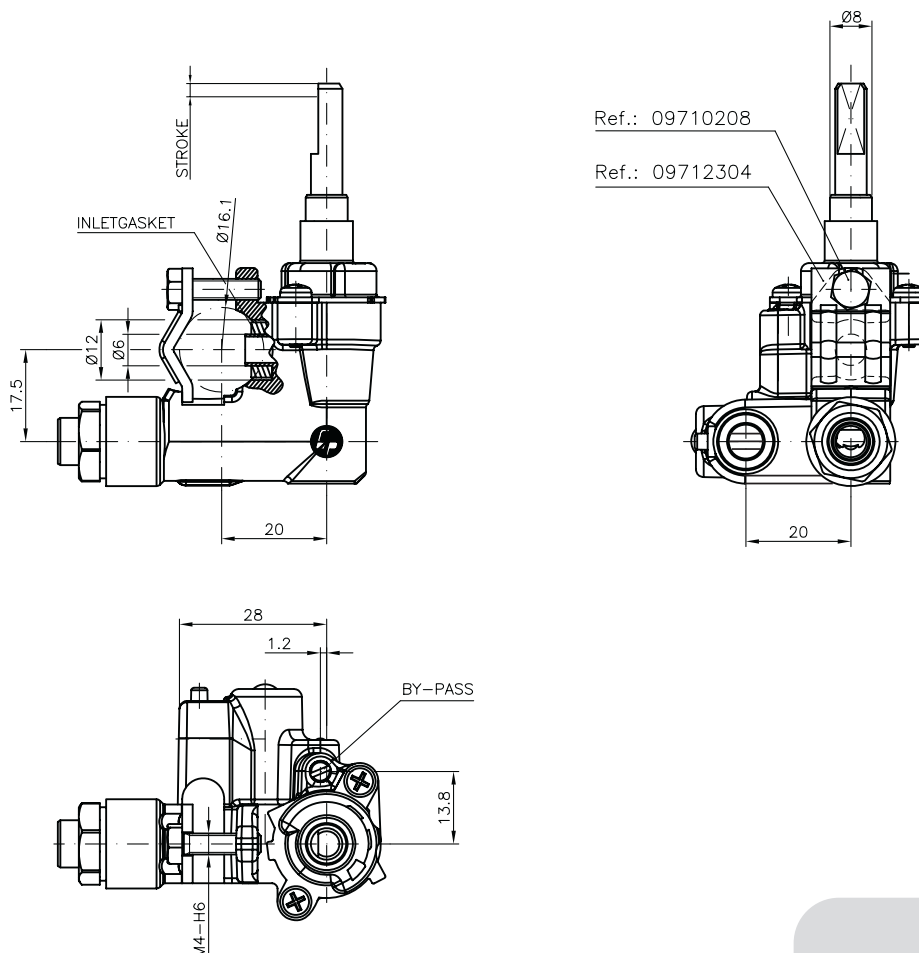
### \_ Rotation diagrams



### \_ Thermocouple connections



### \_ Main outside dimensions



### \_ Construction characteristics

Mechanical body: drop-forged brass.  
Male cone: bar-cut brass.  
Cover: drop-forged steel.  
Spindle: brass.

### \_ Other characteristics

Max. ambient temperature: up to 150 °C  
Max. gas pressure: 65 mbar  
Stroke: 2,5 mm  
Flow: 250 l/h (1 mbar pressure drop).

### \_ Functional characteristics

Max. tightness at test pressure 150 mbar: <math>\leq 8</math> cm<sup>3</sup>/h  
Max. turning torque of the spindle: 0.2 N m  
Max. torque of the spindle on the extremes: > 4 N m  
Max. pushing strenght: 20 N

### \_ Connection characteristics

Inlet types: round 16 mm diameter ramp. On request and after a study, other types and dimensions.  
Outlet types: according to customer specifications.  
Spindle dimensions: according to customer specifications.

### \_ Installation characteristics

Max. torque for screwing: 2 N m (1 screw).  
Max. torque of fitting outlet: 8 N m (biconical), 15 N m (flaring).  
Range for tightening torque of injectors: 1.5 - 2.5 N m  
Max. tightening torque for fitting thermocouple to record: 4 Nm.